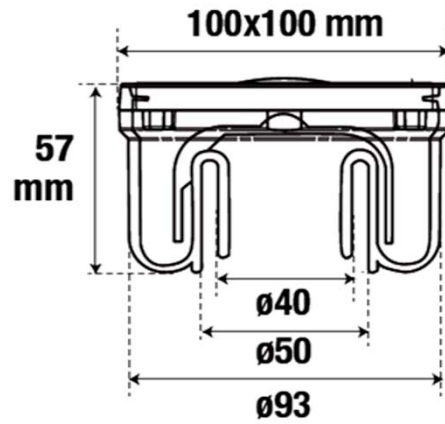


Floor drain, with 10x10, 304 stainless steel grating

Code N° : SIHJ10I



■ FUNCTION:

- This floor drain is aimed at collecting discharge waters of loggias, courtyards, bathrooms, laundry rooms...

■ MATERIAL:

- This body of the gully is made of injected white PVC.
- The 100x100 mm grating is made of 304 stainless steel (lockable on request)
- The 93 mm* external diameter allows a perfect connection with a Ø100 male pipe.
- Includes 2 vertical sockets (diameters 50 mm & 40 mm) for a maximum 57mm recess.

*internal ø of a ø100 pipe.

■ DESCRIPTION:

- Water seal height : 28 mm
- Flow rate: 0.7 litre/second
- Resistance class: H1.5

■ ACCESSORIES:

- An horizontal PVC adaptor diam 40/50 mm (ADSIHJ) is available in case of space-saving requirement.

■ IMPLEMENTATION:

- The Ø 93 mm body enables a connection to a Ø 100 male pipe, Ø 50 female or Ø 40 male. Those PVC/PVC connections ensure a perfect sealing.
- In case of sealing in concrete, make sure that the gully body is well positioned and in full contact with the concrete.

■ QUALITY - ENVIRONMENT:

